

**Quoted for:** City of Oak Park  
**Customer Contact:** Ken Crowley  
**Phone:** / **Email:** kerowley@oak-park.us

**Quoted by:** Tanner Brandenburg  
**Phone:** / **Email:** 270.505.1600 / tanner.brandenburg@altec.com  
**Altec Account Manager:** Toni Tribby

<b>REFERENCE ALTEC MODEL</b>		<b>Sourcewell Price</b>
<b>AT237</b>	<b>Articulating Telescopic Aerial Device (Non-Insulated)</b>	<b>\$132,612</b>

**(A.) SOURCEWELL OPTIONS ON CONTRACT (Unit)**

1	AT237-GAS	Gas Engine	-\$7,710
2			
3			
4			

**(A1.) SOURCEWELL OPTIONS ON CONTRACT (General)**

1			
2			
3			
4			
5			
6			
7			
8			
<b>SOURCEWELL OPTIONS TOTAL:</b>			<b>\$124,902</b>

**(B.) OPEN MARKET ITEMS (Customer Requested)**

1	UNIT	AT335 Deduction	-\$4,000
2	UNIT & HYDRAULIC ACC		\$0
3	BODY		\$0
4	BODY & CHASSIS ACC		\$0
5	ELECTRICAL		\$0
6	FINISHING		\$0
7	CHASSIS	F550 -F450 decrease	-\$10,000
8	OTHER		\$0
<b>OPEN MARKET OPTIONS TOTAL:</b>			<b>-\$14,000</b>

**SUB-TOTAL FOR UNIT/BODY/CHASSIS: \$110,902**  
**Delivery to Customer at \$2.20 / mile: \$772**

**TOTAL FOR UNIT/BODY/CHASSIS: \$111,674**

**(C.) ADDITIONAL ITEMS (items are not included in total above)**

1			
2			
3			
4			

\*\*Pricing valid June 24th,

**2022\*\*NOTES**

**PAINT COLOR:** White to match chassis, unless otherwise specified

**WARRANTY:** Standard Altec Warranty for Aerials and Derricks - One (1) year parts warranty One (1) year labor warranty Ninety (90) days warranty for travel charges (Mobile Service) Limited Lifetime Structural Warranty. Chassis to include standard warranty, per the manufacturer.

**TO ORDER:** To order, please contact the Altec Account Manager listed above.

**CHASSIS:** Per Altec Commercial Standard

**DELIVERY:** No later than **Based on Stock Availability** days ARO, FOB Customer Location

**TERMS:** Net 30 days

**BEST VALUE:** Altec boasts the following "Best Value" features: Altec ISO Grip Controls for Extra Protection, Only Lifetime Warranty on Structural Components in Industry, Largest Service Network in Industry (Domestic and Overseas), Altec SENTRY Web/CD Based Training, Dedicated/Direct Gov't Sales Manager, In-Service Training with Every Order.

**TRADE-IN:** Please ask your Altec Account Manager for more information

**BUILD LOCATION:** Elizabethtown, KY





FOR NEW EQUIPMENT SALES, CALL  
**800.958.2555**  
TO SPEAK WITH AN ALTEC REPRESENTATIVE  
or visit us online at [altec.com](http://altec.com)

 **Altec**  
TELESCOPIC ARTICULATING  
AERIAL DEVICE



## FEATURES

- Telescopic Articulating Non-Insulating Aerial Device
- Hydraulically Extended Boom
- Single Handed Variable Speed Ergonomic Upper Controls
- Push-Button Pendant Lower Controls
- Non-Continuous 370° Rotation
- End-Mounted Platform 26 x 26 x 42 in (660.4 x 660.4 x 1066.8 mm)
- Hydraulic Platform Leveling
- Platform Capacity up to 400 lb
- Engine Start/Stop at Upper and Lower Controls
- Manual Lowering Valve
- 120 VAC Circuit in Boom with GFI Protected Outlet at Platform
- Storage Area at Platform with 12V AC Power Outlet

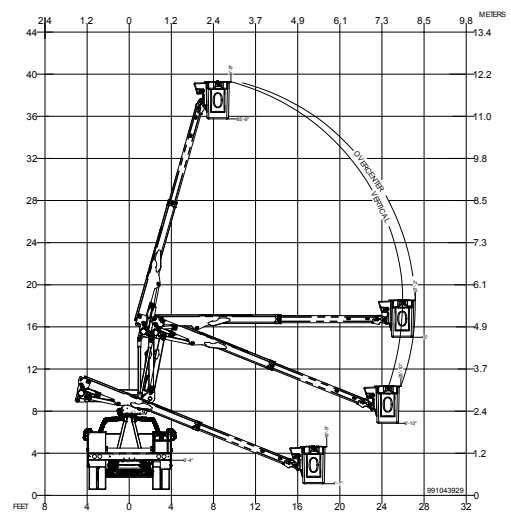
## OPTIONS

- Platform Rotator Offering 180° of Rotation
- Platform with Additional Toe Space
- Secondary Stowage System
- Post Pedestal or Bridge Mount Pedestal
- Heater for Platform
- Tool Pouches and Trays
- Dual USB Power Outlet at Platform

Recommended safety features and additional accessories available through Altec Supply include a fall protection system, platform liner, outrigger pads and wheel chocks.

SPECIFICATIONS	Ground to Bottom of Platform	35.7 ft (10.9 m)
	Working Height	40.7 ft (12.4 m)
	Platform Capacity	400 lb (181 kg)
	Maximum Side Reach	27.2 ft (8.3 m)
	Maximum Side Reach (Rotator)	28.1 ft (8.6 m)
	Stowed Travel Height*	11.3 ft (3.4 m)
	Lower Boom Articulation	-22 to 74°
	Articulating Arm Articulation	0 to 101°
	Rotation	Non-Continuous, 370°
	*Based on a 40 in (1016 mm) chassis frame height.	

## REACH DIAGRAM



**INTEGRATED TURNTABLE BOOM REST FREES UP CARGO BED FOR MORE STORAGE**



**SINGLE HANDED ERGONOMIC UPPER CONTROLLER CAN BE MOVED BETWEEN TWO POSITIONS FOR OPTIMAL OPERATOR COMFORT**



**BUILT-IN STORAGE AT PLATFORM MAKES IT EASY TO STORE TOOLS AND PARTS**



For more complete information on Altec products and services, visit us on the web at [www.altec.com](http://www.altec.com). Material and specifications are subject to change without notice. Featured units in photos may include optional features. Please contact an Altec representative for all available options. Altec® and the Altec logo are registered trademarks of Altec Inc. in the United States and various other countries and may not be used without permission. © 2021 Altec Inc. All Rights Reserved. AIOSAT335-0821-v1