



December 19, 2024

Michael Bills
Village of Oak Park
123 Madison Street
Oak Park, IL 60302

Ref: FERGUSON WATERWORKS – Sole Authorized Distributor – Northern Illinois

Neptune Technology Group Inc is pleased to affirm that Ferguson Supply, is the sole authorized distributor in Northern Illinois for Neptune RF meter reading equipment, Neptune water meters, Meter Interface Units, parts and software.

FERGUSON WATERWORKS is authorized by Neptune to sell, warrant and service Neptune water meters and related products.

Thank you for your interest in Neptune products. If you have any questions, please contact your local TJ Rodebaugh at 815-341-4772, your local Neptune representative, Pat Prasifka, at 334-391-6128, or Neptune's bid department at 470-283-4399

Sincerely,

Patrick Prasifka
District Manager
Neptune Technology Group



Office of the Secretary of State

ilsos.gov

Business Entity Search

Entity Information

Entity Name	FERGUSON ENTERPRISES, LLC		
Principal Address	751 LAKEFRONT COMMONS NEWPORT NEWS, VA 23606		
File Number	07364555	Status	ACTIVE on 02-05-2024
Entity Type	LLC	Type of LLC	Foreign
Org. Date/Admission Date	04-10-2019	Jurisdiction	VA
Duration	PERPETUAL		
Annual Report Filing Date	02-05-2024	Annual Report Year	2024
Agent Information	CORPORATE CREATIONS NETWORK INC. 1320 TOWER ROAD SCHAUMBURG, IL 60173	Agent Change Date	10-27-2023

<p>Deliver To: From: Tj Rodebaugh tj.rodebaugh@ferguson.com Comments:</p>

FERGUSON WATERWORKS #2516

Price Quotation
Phone: 815-756-2800
Fax: 815-756-2877

Bid No: B196881
Bid Date: 09/09/24
Quoted By: TJR

Cust Phone: 708-358-5700
Terms: NET 10TH PROX

Customer: VILLAGE OF OAK PARK
OAK PARK METERS
201 SOUTH BLVD
OAK PARK, IL 60302

Ship To: VILLAGE OF OAK PARK
OAK PARK METERS
201 SOUTH BLVD
OAK PARK, IL 60302

Cust PO#: P.O. TO FOLLOW

Job Name: 2025 METER PRICING

Item	Description	Quantity	Net Price	UM	Total
	REFERENCE PAR: A83928 1/1/2025 THRU 12/31/2025 ----				
	T-10 R900I METERS ----				
NED2A11RDG3	LF 5/8 T10 MTR V4 R900I USG	1	266.980	EA	266.98
NED2B11RDG3	LF 5/8X3/4 T10 MTR V4 R900I USG	1	266.980	EA	266.98
NED2C11RDG3	LF 3/4 T10 MTR V4 R900I USG	1	334.890	EA	334.89
NED2F11RDG3	LF 1 T10 MTR V4 R900I USG	1	411.550	EA	411.55
NED2H11RDG3	LF 1-1/2 T10 MTR V4 R900I USG	1	688.900	EA	688.90
NED2J11RDG3	LF 2 T10 MTR V4 R900I USG	1	911.860	EA	911.86

NEU1A1G1	5/8 MACH10 USG	1	188.980	EA	188.98
NEU1B1G1	5/8X3/4 MACH10 USG *X	1	188.980	EA	188.98
NEU1C1G1	3/4 MACH10 USG	1	204.720	EA	204.72
NEU1F1G1	1 MACH10 USG	1	275.590	EA	275.59
NEU2B1G1	1-1/2 MACH10 USG 10 LL	1	886.700	EA	886.70
NEU2A1G1	1-1/2 MACH10 USG 13 LL	1	886.700	EA	886.70
NEU2F1G1	2 MACH10 USG 10 LL *X	1	1083.740	EA	1083.74
NEU2G1G1	2 MACH10 USG 15-1/4 LL *X	1	1083.740	EA	1083.74
NEU2E1G1	2 MACH10 USG 17 LL *X	1	1083.740	EA	1083.74

	C&I TURBINE LL STANDALONE -----				
NEU3A1G1	3" MACH 10, 12" LENGTH USG	1	3042.160	EA	3042.16
NEU3C1G1	4" MACH 10, 14" LENGTH USG	1	3907.510	EA	3907.51
NEU3E1G1	6" MACH 10, 18" LENGTH USG	1	6619.570	EA	6619.57

	C&I COMPOUND LL STANDALONE -----				
NEU3B1G1	3" MACH 10, 17" LENGTH USG	1	3122.440	EA	3122.44
NEU3D1G1	4" MACH 10, 20" LENGTH USG	1	4014.570	EA	4014.57
NEU3F1G1	6" MACH 10, 24" LENGTH USG	1	6780.160	EA	6780.16

	INTERMEDIATE LL R900I -----				



HOW ARE WE DOING? WE WANT YOUR FEEDBACK!

Scan the QR code or use the link below to complete a survey about your bids:

<https://survey.medallia.com/?bidsorder&fc=2521&on=4740>

Fax: 815-756-2877

10:03:10 SEP 09 2024

Reference No: B196881

Item	Description	Quantity	Net Price	UM	Total
NEU1A2G1	5/8 MACH10 R900I USG	1	311.810	EA	311.81
NEU1B2G1	5/8X3/4 V4 R900I MACH10 MTR USG *X	1	311.810	EA	311.81
NEU1C2G1	3/4 MACH10 R900I USG	1	327.560	EA	327.56
NEU1F2G1	1 V4 R900I USG MACH10 MTR *X	1	398.430	EA	398.43
NEU2B2G1	1-1/2 MACH10 R900I USG 10 LL *X	1	1044.330	EA	1044.33
NEU2A2G1	1-1/2 MACH10 R900I USG 13 LL *X	1	1044.330	EA	1044.33
NEU2F2G1	2 MACH10 R900I USG 10 LL *X	1	1241.370	EA	1241.37
NEU2G2G1	2 MACH10 R900I USG 15-1/4 LL *X	1	1241.370	EA	1241.37
NEU2E2G1	2 MACH10 R900I USG 17 LL *X	1	1241.370	EA	1241.37

C&I TURBINE LL R900I					

NEU3A2G1	3" MACH 10, R900I, 12" LENGTH USG	1	3202.740	EA	3202.74
NEU3C2G1	4" MACH 10, R900I, 14" LENGTH USG	1	4068.090	EA	4068.09
NEU3E2G1	6" MACH 10, R900I, 18" LENGTH USG	1	6780.160	EA	6780.16

C&I COMPOUND LL R900I					

NEU3B2G1	3" MACH 10, R900I, 17" LENGTH USG	1	3283.020	EA	3283.02
NEU3D2G1	4 MACH 10 R900I 20 LENGTH USG	1	4175.150	EA	4175.15
NEU3F2G1	6" MACH 10, R900I, 24" LENGTH USG	1	6940.740	EA	6940.74
R900 WALL UNIT					
N13341200	R900 V4 WALL MIU	1	145.800	EA	145.80

R900I REGISTERS					

NRD2G13	REG 5/8 T10 V4 R900I USG INSID	1	202.530	EA	202.53
NRW2G13	REG 5/8 T10 V4 R900I USG PIT	1	221.820	EA	221.82
NRD2G23	REG 3/4 T10 V4 R900I USG INSID	1	202.530	EA	202.53
NRW2G23	REG 3/4 T10 V4 R900I USG PIT	1	221.820	EA	221.82
NRD2G33	REG 1 T10 V4 R900I USG INSIDE	1	202.530	EA	202.53
NRW2G33	REG 1 T10 V4 R900I USG PIT	1	221.820	EA	221.82
NRD2G43	REG 1-1/2 T10 V4 R900I USG INS	1	202.530	EA	202.53
NRW2G43	REG 1-1/2 T10 V4 R900I USG PIT	1	221.820	EA	221.82
NRD2G53	REG 2 T10 V4 R900I USG INSIDE	1	202.530	EA	202.53
NRW2G53	REG 2 T10 V4 R900I USG PIT	1	221.820	EA	221.82
NRW3G23	REG 3 T/T V4 R900I USG PIT	1	221.820	EA	221.82
NRW5G23	REG 3 HPT V4 R900I USG PIT	1	221.820	EA	221.82
NRW3G33	REG 4 T/T V4 R900I USG PIT	1	221.820	EA	221.82
NRW5G33	REG 4 HPT V4 R900I USG PIT	1	221.820	EA	221.82
NRW3G43	REG 6 T/T V4 R900I USG PIT	1	221.820	EA	221.82
NRW5G43	REG 6 HPT V4 R900I USG PIT	1	221.820	EA	221.82

METER BRASS					
M74620E	LF 5/8 MTR COUP W/ WIRE HOLE	1	17.180	EA	17.18
M74620F	LF 3/4 STR MTR COUP W/ WIRE H	1	19.420	EA	19.42
M74620G	LF 1 STR MTR COUP W/ WIRE H	1	29.920	EA	29.92
M7610FKITJ	LF 1-1/2 MTR FLG KIT	1	189.390	EA	189.39
M7610FKITK	LF 2 MTR FLG KIT	1	260.000	EA	260.00
M7610RKMM	3 MTR FLG KIT RND	1	469.260	EA	469.26
M7610RKPP	LF 4 MTR FLG KIT BRZ SET	1	728.170	EA	728.17
M7610RKUU	LF 6 4 RND 8H FLG KIT	1	1477.940	EA	1477.94

Net Total: \$78652.49
Tax: \$0.00
Freight: \$0.00
Total: \$78652.49



HOW ARE WE DOING? WE WANT YOUR FEEDBACK!

Scan the QR code or use the link below to complete a survey about your bids:

<https://survey.medallia.com/?bidsorder&fc=2521&on=4740>

Fax: 815-756-2877

10:03:10 SEP 09 2024

Reference No: B196881

Quoted prices are based upon receipt of the total quantity for immediate shipment (48 hours). SHIPMENTS BEYOND 48 HOURS SHALL BE AT THE PRICE IN EFFECT AT TIME OF SHIPMENT UNLESS NOTED OTHERWISE. QUOTES FOR PRODUCTS SHIPPED FOR RESALE ARE NOT FIRM UNLESS NOTED OTHERWISE.

CONTRACTOR CUSTOMERS: IF YOU HAVE DBE/MBE/WBE/VBE/SDVBE/SBE GOOD FAITH EFFORTS DIVERSITY GOALS/ REQUIREMENTS ON A FEDERAL, STATE, LOCAL GOVERNMENT, PRIVATE SECTOR PROJECT, PLEASE CONTACT YOUR BRANCH SALES REPRESENTATIVE IMMEDIATELY PRIOR TO RECEIVING A QUOTE/ORDER.

Seller not responsible for delays, lack of product or increase of pricing due to causes beyond our control, and/or based upon Local, State and Federal laws governing type of products that can be sold or put into commerce. This Quote is offered contingent upon the Buyer's acceptance of Seller's terms and conditions, which are incorporated by reference and found either following this document, or on the web at <https://www.ferguson.com/content/website-info/terms-of-sale>
Govt Buyers: All items are open market unless noted otherwise.

LEAD LAW WARNING: It is illegal to install products that are not "lead free" in accordance with US Federal or other applicable law in potable water systems anticipated for human consumption. Products with *NP in the description are NOT lead free and can only be installed in non-potable applications. Buyer is solely responsible for product selection.



HOW ARE WE DOING? WE WANT YOUR FEEDBACK!

Scan the QR code or use the link below to
complete a survey about your bids:

<https://survey.medallia.com/?bidsorder&fc=2521&on=4740>

Services and More Information

Choose a tab below to view services available to this business and more information about this business.

[Purchase Master Entity Certificate of Good Standing](#)

[Purchase Assumed Name Certificate of Good Standing](#)

[Adopting Assumed Name](#)

[Change of Registered Agent and/or Registered Office](#)



A PRODUCT SHEET OF NEPTUNE TECHNOLOGY GROUP

T-10 Meter

SIZES 5/8", 3/4", AND 1"

Every T-10® water meter meets or exceeds the latest AWWA C700 Standard. Its nutating disc, positive displacement principle has been time-proven for accuracy and dependability since 1892, ensuring maximum utility revenue.

Construction

The T-10 water meter consists of three major assemblies: a register, a lead free, high-copper alloy maincase, and a nutating disc measuring chamber.

The T-10 meter is available with a variety of register types. For reading convenience, the register can be mounted in one of four positions on the meter.

The corrosion-resistant, lead-free, high-copper alloy maincase will withstand most service conditions; internal water pressure, rough handling, and in-line piping stress.

The innovative floating chamber design of the nutating disc measuring element is unaffected by meter position or in-line piping stresses while the unique chamber seal extends the low-flow accuracy by sealing the chamber outlet port to the maincase outlet port. The nutating disc measuring element utilizes corrosion-resistant materials throughout and a thrust roller to minimize wear.

Warranty

Neptune® provides a limited warranty for performance, materials, and workmanship. See warranty statement for details.

Guaranteed Systems Compatibility

All T-10 water meters are guaranteed adaptable to our ARB®V, ProRead™ (ARB VI) AutoDetect, ProCoder™, E-CODER® (ARB VII), E-CODER®)R900i™, E-CODER®)R450i™, ProCoder™)R900i™, TRICON®/S, TRICON/E®3, and Neptune meter reading systems without removing the meter from service.

Systems Compatibility

Adaptability to all present and future systems for flexibility is available only with Neptune's ARB® Utility Management Systems™.



KEY FEATURES

REGISTER

Magnetic-driven, low-torque registration ensures accuracy

Impact-resistant register

High-resolution, low-flow leak detection

Bayonet-style register mount allows in-line serviceability

Tamperproof seal pin deters theft

Date of manufacture, size, and model stamped on dial face

LEAD FREE MAINCASE

Made from lead free, high-copper alloy

NSF/ANSI 372, NSF/ANSI 61

Lifetime guarantee

Resists internal pressure stresses and external damage

Handles in-line piping variations and stresses

Lead free, high-copper alloy provides residual value vs. plastic or composite

Electrical grounding continuity

NUTATING DISC MEASURING CHAMBER

Positive displacement

Widest effective flow range for maximum revenue

Proprietary polymer materials maximize long-term accuracy

Floating chamber design is unaffected by meter position or in-line piping stresses

Specifications

- NSF/ANSI 372, **NSF/ANSI 61**
- National Type Evaluation Program (NTEP) certification

Application

- Cold water measurement of flow in one direction in residential service applications

Maximum Operating Water Pressure

- 150 psi (1034 kPa)

Maximum Operating Water Temperature

- 80°F

Measuring Chamber

- Nutating disc technology design made from proprietary synthetic polymer

Options

Sizes

- $\frac{5}{8}$ " , $\frac{5}{8}$ " x $\frac{3}{4}$ "
- $\frac{3}{4}$ " , $\frac{3}{4}$ " SL, $\frac{3}{4}$ " x 1"
- 1" , 1" x 1 $\frac{1}{4}$ "

Units of Measure:

- U.S. gallons, imperial gallons, cubic feet, cubic metres

Register Types

- Direct reading: bronze box and cover (standard)

Remote Reading:

- ProRead, ProCoder, E-CODER, E-CODER)R900i, E-CODER)R450i, ProCoder™)R900i™, TRICON/S, TRICON/E3

- Reclaim

Bottom Caps

- Synthetic polymer ($\frac{5}{8}$ " only)
- Cast iron
- Lead free, high-copper alloy

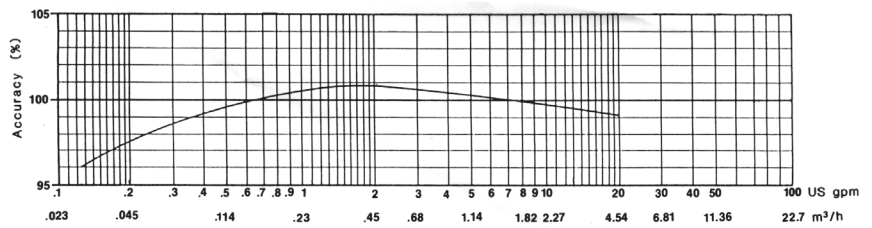
Connections

- Lead free, high-copper alloy, straight or bent

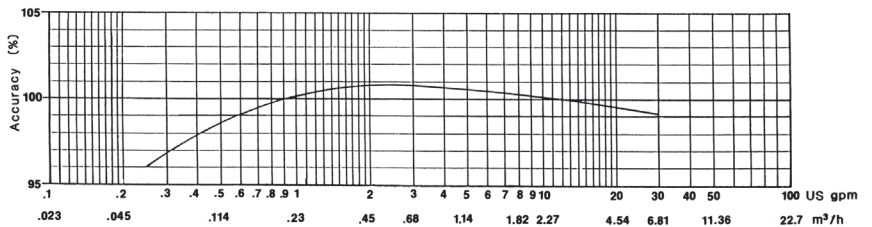
Environmental Conditions

- Operating temperature: +33° F to +149° F (0° C to +65° C)
- Storage temperature: +33° F to +158° F (0° C to +70° C)

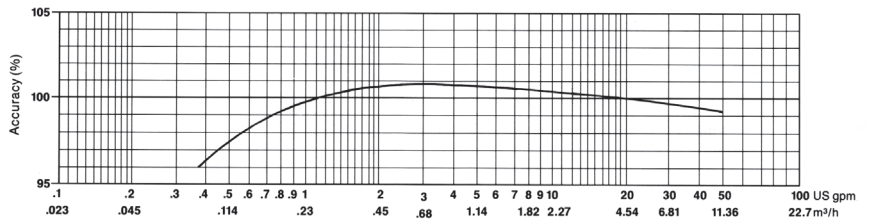
$\frac{5}{8}$ " ACCURACY



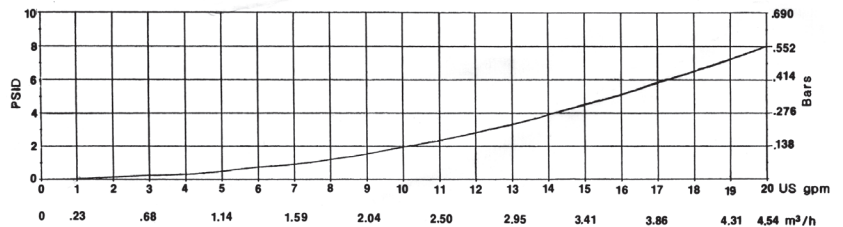
$\frac{3}{4}$ " ACCURACY



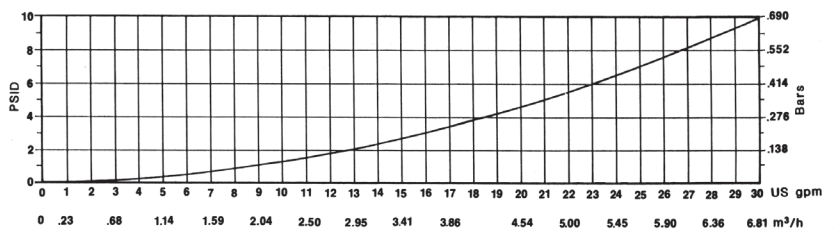
1" ACCURACY



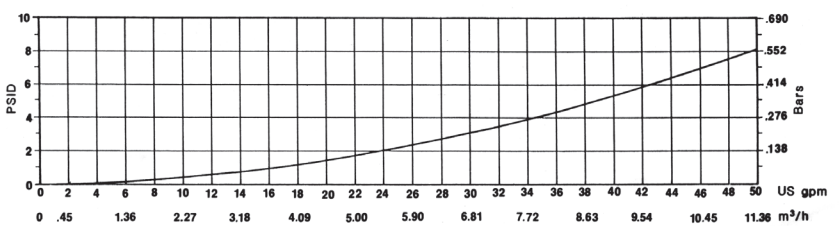
$\frac{5}{8}$ " PRESSURE LOSS



$\frac{3}{4}$ " PRESSURE LOSS



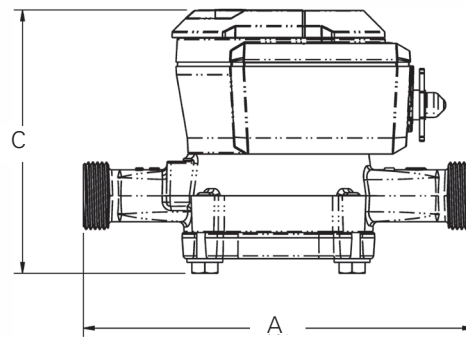
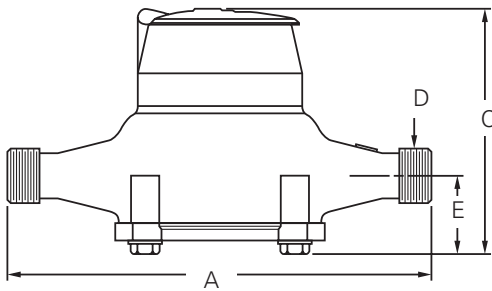
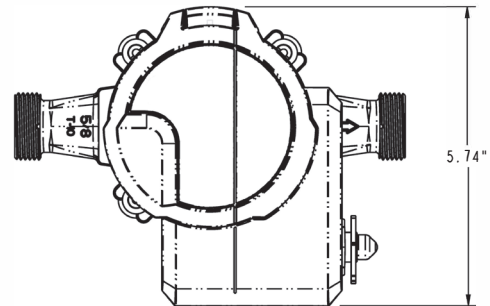
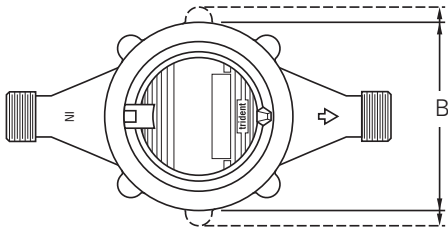
1" PRESSURE LOSS



These charts show typical meter performance. Individual results may vary.

Dimensions

Meter Size	A	B	C					D-	E-	Weight lbs/kg
	in/mm	in/mm	Std. in/mm	ARB in/mm	ProCoder™ or E-CODER®	ProCoder™) R900i™ or ProCoder™) R450i™	E-CODER®) R900i™ or E-CODER®) R450i™	NPSM Thread	in/mm	
5/8"	7½ 191	3⅝ 92	4⅜ 111	5¼ 133	5¼ 133	5¼ 133	5¼ 133	¾" - 14"	1½ 38	3¼ 1.4
5/8" x ¾"	7½ 191	3⅝ 92	4⅜ 111	5¼ 133	5¼ 133	5¼ 133	5¼ 133	1" - 11½"	1½ 38	3⅝ 1.5
Pre 2011 5/8"	7½ 191	3⅝ 92	4⅞ 124	5½ 146	5½ 139	5½ 139	5½ 139	¾" - 14"	1⅝ 41	3¾ 1.7
Pre 2011 5/8" x ¾"	7½ 191	3⅝ 92	4⅞ 124	5½ 146	5½ 139	5½ 139	5½ 139	1" - 11½"	1⅝ 41	4 1.8
¾"	9 229	4⅜ 111	5½ 140	6¼ 159	6¼ 159	6¼ 159	6¼ 159	1" - 11½"	1⅞ 48	6 2.7
¾" SL	7½ 911	4⅜ 111	5½ 140	6¼ 159	6¼ 159	6¼ 159	6¼ 159	1" - 11½"	1⅞ 48	5½ 2.5
¾" x 1"	9 229	4⅜ 111	5½ 140	6¼ 159	6¼ 159	6¼ 159	6¼ 159	1¼" - 11½"	1⅞ 48	6½ 2.9
1"	10¾ 273	6½ 165	6⅝ 162	7 178	7 178	7 178	7 178	1¼" - 11½"	2⅞ 54	9¾ 4.4
1" x 1¼"	10¾ 273	6½ 165	6⅝ 162	7 178	7 178	7 178	7 178	1½" - 11½"	2⅞ 54	10¼ 4.6



Operating Characteristics

Meter Size	Normal Operating Range @ 100% Accuracy (+/- 1.5%)	AWWA Standard	Low Flow @ 95% Accuracy
5/8"	1/2 to 20 US gpm 0.11 to 4.55 m ³ /h	1 to 20 US gpm 0.23 to 4.5 m ³ /h	1/8 US gpm 0.03 m ³ /h
3/4"	3/4 to 30 US gpm 0.17 to 6.82 m ³ /h	2 to 30 US gpm 0.45 to 6.8 m ³ /h	1/4 US gpm 0.06 m ³ /h
1"	1 to 50 US gpm 0.23 to 11.36 m ³ /h	3 to 50 US gpm 0.68 to 11.4 m ³ /h	3/8 US gpm 0.09 m ³ /h

Registration

ProRead Registration (per sweep hand revolution)		5/8"	3/4" & 1"
10	US Gallons	√	√
10	Imperial Gallons	√	√
1	Cubic Foot	√	√
0.1	Cubic Metre	√	√
Register Capacity ProRead, ProCoder, and E-CODER		5/8"	3/4" & 1"
10,000,000	US Gallons	√	√
10,000,000	Imperial Gallons	√	√
1,000,000	Cubic Feet	√	√
100,000	Cubic Metres	√	√
ProCoder and E-CODER High Resolution (8-digit reading)		5/8"	3/4" & 1"
0.1	US Gallons	√	√
0.1	Imperial Gallons	√	√
0.01	Cubic Feet	√	√
0.001	Cubic Metres	√	√



#winyourday
neptunetg.com

Neptune Technology Group
1600 Alabama Highway 229
Tallahassee, AL 36078
800-633-8754 f 334-283-7293

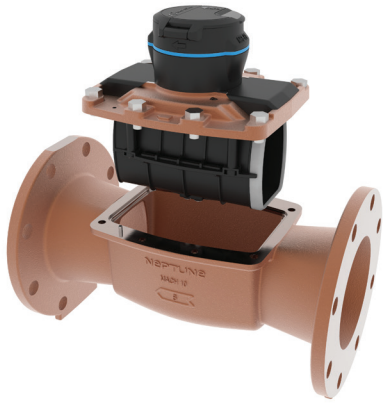
Superior Accuracy. Zero Maintenance.

Neptune® MACH 10® Ultrasonic Meter



The MACH 10® ultrasonic water meter features solid state ultrasonic technology including a factory-calibrated, replaceable unitized measuring element (UME) with no degradation of accuracy over time. Combined with a corrosion-resistant, lead-free, high-copper alloy maincase, the MACH 10 is built to withstand demanding service conditions and deliver sustained accuracy over the life of the meter.

- Sizes 3", 4", and 6"
- Advanced ultrasonic technology with easily replaceable UME design
- Accuracy sustained over meter life
- Can be installed in both horizontal and vertical applications
- Available in standard turbine and compound lay lengths
- Lead free, high-copper alloy maincase
- Open flow path design with low pressure loss



Operating Characteristics

Meter Size	Extended Low Flow @ 100% Accuracy (+/- 3.0%)	Normal Operating Range @ 100% Accuracy (+/- 1.5%)	Safe Maximum Operating Capacity
3"	0.50 U.S. gpm	0.625 to 500 U.S. gpm	500 U.S. gpm
4"	0.75 U.S. gpm	1.0 to 1200 U.S. gpm	1200 U.S. gpm
6"	1.0 U.S. gpm	1.5 to 2000 U.S. gpm	2000 U.S. gpm

Specifications

AWWA C715 Compliant

NSF/ANSI 61 Certified

Cold water measurement of flow in potable water applications

Maximum Operating Water Pressure

- 175 psi

Operating Water Temperature Range

- +33°F to +122°F (+0.5°C to +50°C)

Options

Units of Measure

- U.S. gallons, cubic feet, cubic metres

Environmental Conditions

- Operating temperature: +14°F to +149°F (-10°C to +65°C)
- Storage temperature: -40°F to +158°F (-40°C to +70°C)

Warranty

- Neptune provides a limited warranty with respect to its MACH 10 line of ultrasonic meters for performance, materials, and workmanship.

System Compatibility

- Compatible with Neptune R900® and CMIU. Also available in MACH 10®)R900i™ and MACH 10®)TC configurations for an integrated radio solution.

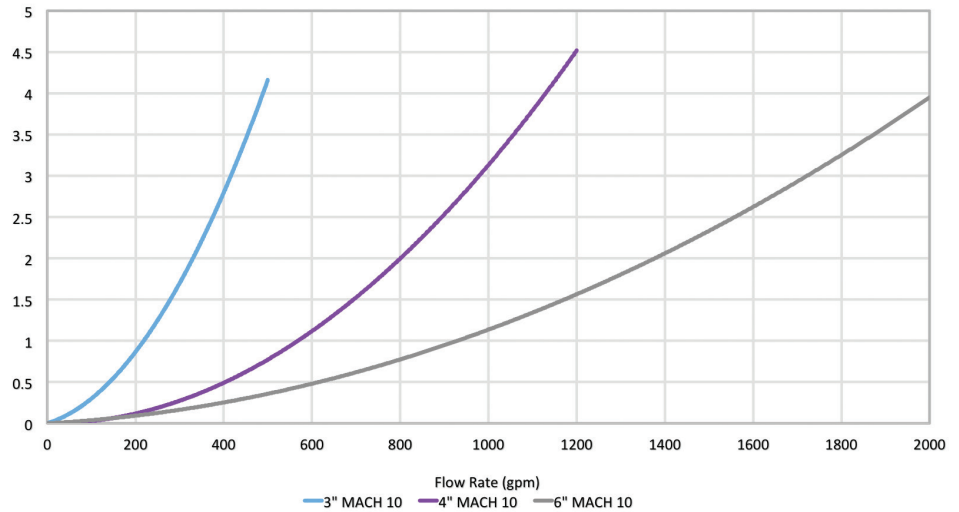
Dimensions

Meter Size	Length	Height
3"	12"	9½"
	17"	9½"
4"	14"	11"
	20"	11"
6"	18"	12¾"
	24"	12¾"

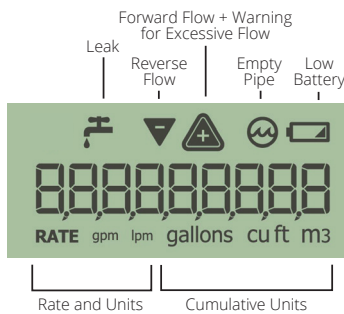
Registration

High Resolution (8-digit reading)	3"	4"	6"
1 U.S. Gallons	✓	✓	
10 U.S. Gallons			✓
0.1 Cubic Feet	✓	✓	
1 Cubic Feet			✓
0.01 Cubic Metres	✓	✓	
0.1 Cubic Metres			✓

Pressure Loss



LCD Display



LoRa Alliance Certified™



neptunetg.com

Neptune Technology Group
1600 Alabama Highway 229
Talladega, AL 36078
800-633-8754 f 334-283-7293